



4560

3150

2800

2400

V4-5

4650
4800

Wheeled loader



V4-5D

Weight : 3560/3420 kg

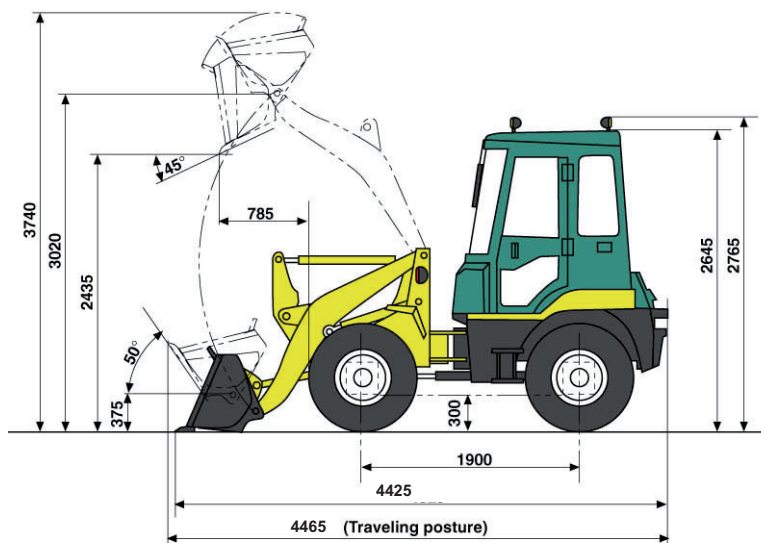
Bucket capacity : 0.5 m³

Breakout force : 2600 kgf

TECHNICAL SPECIFICATIONS



Operating weight (EC Norm) +2% :
3560/3420 kg (Cabin / Canopy)



Subject to any technical modifications.
Dimensions given in mm with standard Yanmar bucket.

		V4-5D
Engine Yanmar 4 cylinders	Type	4TNV88-NKAH
	Rated output (DIN 6270B)	31 kw/42,1 HP/2500 rpm
	Displacement	2189 cm ³
	Max. torque	143 N.m./1200 rpm
Hydraulic circuit	System capacity	49 l
	Max. pressure	210 / 150 bar
	Gear pump	1 x 22.4 l/mn + 1 x 8.9 l/mn (HST)
Performances	Travelling speed (forw)	0~6.4 / 0~17.7 km/h
	Travelling speed (rev)	0~6.4 / 0~17.7 km/h
	Bucket capacity	0.5 m ³
	Payload	1050 kg
	Breakout force	2600 kgf
	Tipping load (straight/fully articulated)	2500/2100 kgf
	Dumping height 45°	2435 mm
	Max. working reach 45°	785 mm
	Grade ability	30°
Miscellaneous	Min. turning radius	3900 mm
	Steering angle	40°
	Tread	1250 mm
	Wheel base	1900 mm
	Transport dimensions (L x w x h)	4425 x 1690 x 2765 mm
	Ground clearance	300 mm
Noise level LwA (2000/14/EC & 2005/88/EC)	** dBA	

- Front axle : rigid / semi float and rear axle : rigid / semi float with reductions and differentials.
- Hydrostatic transmission : Driving precision.
- Oscillation angle (total) : 16°.
- Z cinematics with "floating position" for bucket. After dumping, simply shifting the lever automatically shifts the bucket into loading position on the ground.
- Rear axle oscillation: smooth on uneven ground.
- Speed limitation device for more accurate work.
- Wet multiple disk brake.



25, RUE DE LA TAMBOURINE
F-52100 ST-DIZIER
sales@ammann-yanmar.fr